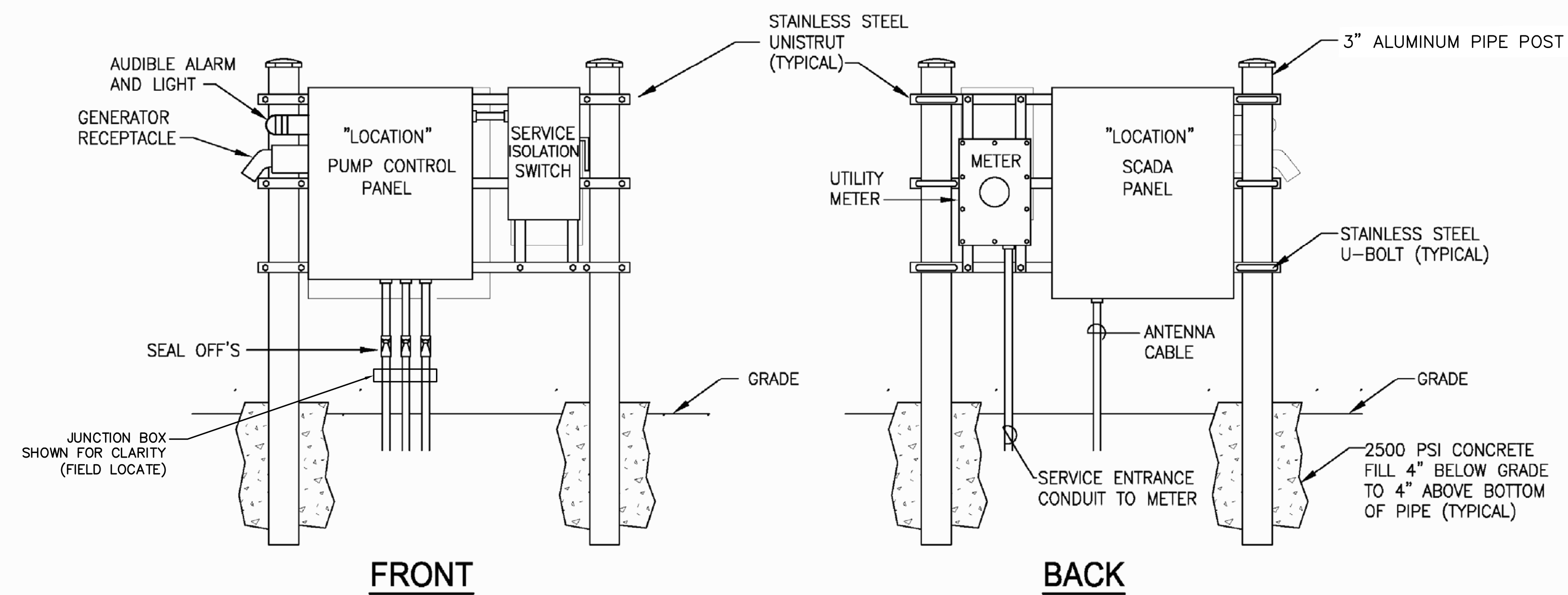
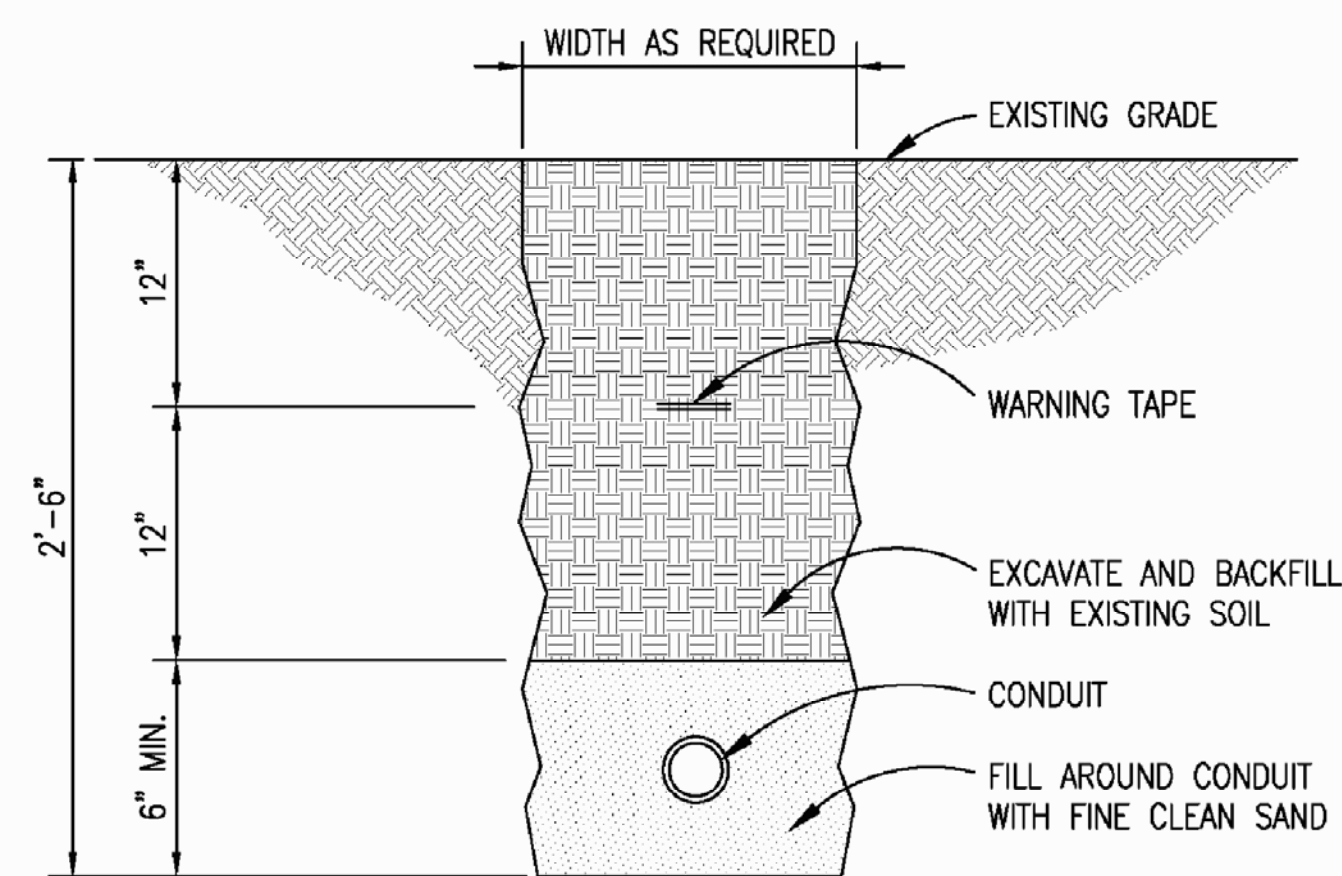


- NOTES:**
1. TEST GROUND PRIOR TO INSTALLATION OF GROUND ROD TO DETERMINE SOIL RESISTIVITY.
 2. REFER TO GROUNDING NOTES FOR REQUIREMENTS.

GROUND ROD INSTALLATION DETAIL
NOT TO SCALE



TYPICAL ELECTRIC EQUIPMENT MOUNTING DETAIL
NOT TO SCALE



THE CONTRACTOR SHALL, AT A MINIMUM, UTILIZE NPDES EROSION AND SEDIMENT CONTROL METHODS.

DIRECT BURIED CONDUIT DETAIL
NOT TO SCALE

ELECTRICAL NOTES:

- ① CONTRACTOR SHALL APPLY FOR PERMIT FROM ORMOND BEACH BUILDING DEPARTMENT FOR EACH PUMP STATION SITE.
- ② SPD SHALL BE LEVITON #57120-M3 OR APPROVED EQUAL.
- ③ ALARM LIGHT AND AUDIBLE ALARM SHALL BE INSTALLED ON THE PUMP CONTROL PANEL USING A WEATHER TIGHT CONNECTION. ALARM LIGHT SHALL BE RUSSELL STOLL TYPE VLP CATALOG # 6345A. AUDIBLE ALARM SHALL BE FEDERAL SIGNAL MODEL # 350 OR APPROVED EQUAL.
- ④ REQUIREMENTS FOR PUMP CONTROL AND SCADA PANELS ARE NOTED ON ORMOND BEACH STANDARD DETAILS AS INCLUDED IN THIS DRAWING SET.
- ⑤ SEAL-OFFS SHALL BE FILLED USING CHICO FIBER.