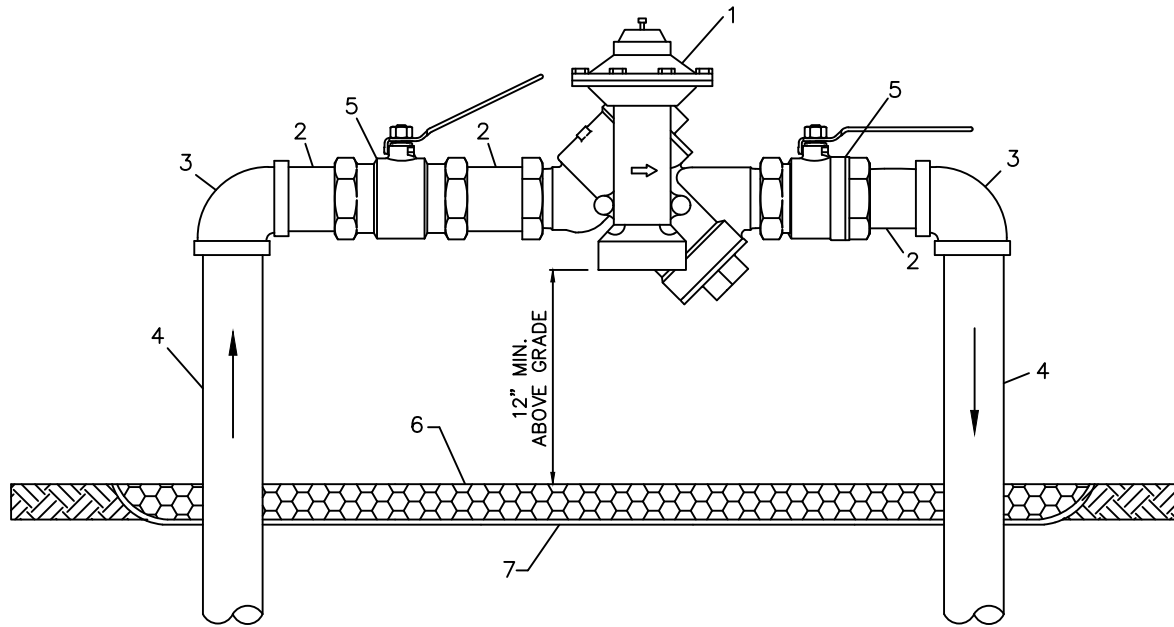


ACCEPTABLE MANUFACTURERS:
 WILKINS MODEL 975XL, WATTS MODEL 009 QTS, APOLLO MODEL RPLF4A



M A T E R I A L S		
ITEM	QUANT.	D E S C R I P T I O N
1	1	3/4", 1", 1-1/2" OR 2" BACKFLOW PREVENTER ASSEMBLY
2	3	3/4", 1", 1-1/2" OR 2" x NOM. NIPPLES - BRASS
3	2	3/4", 1", 1-1/2" OR 2" x 90° ELBOWS - PVC., BRASS, OR COPPER
4	2	3/4", 1", 1-1/2" OR 2" x VARIES RISER - PVC., BRASS, OR COPPER
5	2	3/4", 1", 1-1/2" OR 2" BALL VALVE
6	*	PEA GRAVEL
7	*	PLASTIC LINER

- NOTE:
- FIELD ADJUST AND CUT ITEM 4 TO THE PROPER LENGTH.
 - NO GALVANIZED FITTINGS OR PIPE ALLOWED.
 - A COPY OF THE ASSEMBLY CERTIFICATION SHALL BE SUBMITTED TO THE CITY'S ENGINEERING DEPARTMENT BEFORE FINAL INSPECTION.
 - ASSEMBLY SHOULD HAVE ADEQUATE LANDSCAPING AROUND IT TO OBSCURE VIEW.
 - ASSEMBLY SHALL BE PAINTED FOREST GREEN
 - WILKINS ASSEMBLIES ARE REQUIRED FOR CITY OWNED FACILITIES



STANDARD CONSTRUCTION DETAIL
 REDUCED PRESSURE BACKFLOW PREVENTER
 (POTABLE WATER & IRRIGATION)
 3/4", 1", 1 1/2", OR 2"

NTS

INDEX

W-6D

DEC 2016