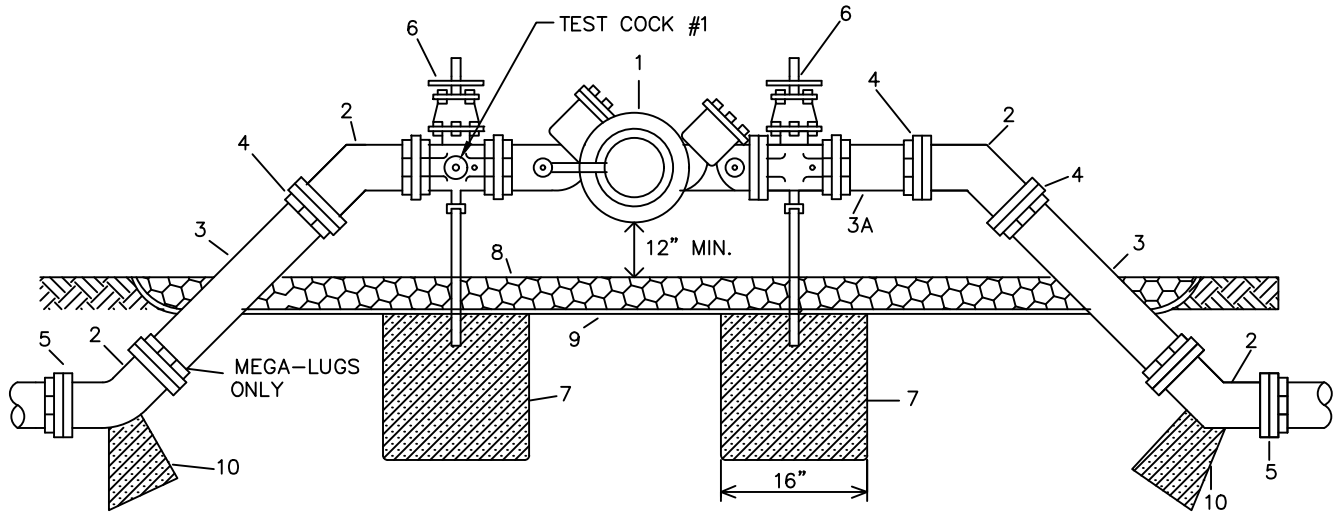


ACCEPTABLE MANUFACTURERS: HERSEY MODEL 6CM, WILKINS MODEL 375, APOLLO MODEL RPLF4A, WATTS MODEL 909 WITH OS&Y VALVES (6" ONLY)



M A T E R I A L S		
ITEM	QUANT.	DESCRIPTION
1	1	6", 8" VALVE, REDUCED PRESSURE BACKFLOW PREVENTER.
2	4	6", 8" BEND -45°
3	2	6", 8" ADAPTER, C.I. F - PE
3A	1	6", 8" ADAPTER, C.I. F - PE (OPT.)
4	3	6", 8" ADAPTER FLANGE D.I.P.
5	2	6", 8" ADAPTER FLANGE P.V.C. (DR - 18)
6	2	6", 8" VALVE, GATE, C.I., F-F (OS&Y STYLE ONLY)
7	1 or 2	2" IRON PIPE/CONCRETE FOUNDATION
8	*	PEA GRAVEL
9	*	PLASTIC LINER
10	2	REACTION BLOCK

- NOTE:
- FIELD ADJUST AND CUT ITEM 3 TO THE PROPER LENGTH.
 - DO NOT INTERCHANGE ITEMS 4 AND 5.
 - ASSEMBLY SHALL BE PAINTED FOREST GREEN.
 - NO GALVANIZED PIPE OR FITTINGS ALLOWED.
 - A COPY OF THE ASSEMBLY CERTIFICATION SHALL BE SUBMITTED TO THE CITY'S ENGINEERING DEPARTMENT BEFORE FINAL INSPECTION
 - ASSEMBLY SHOULD HAVE ADEQUATE LANDSCAPING AROUND IT TO OBSCURE VIEW.
 - WILKINS ASSEMBLIES ARE REQUIRED FOR CITY OWNED FACILITIES



STANDARD CONSTRUCTION DETAIL
REDUCED PRESSURE BACKFLOW PREVENTER
(POTABLE WATER) 6" OR 8"

NTS

INDEX

W-6C

DEC 2016