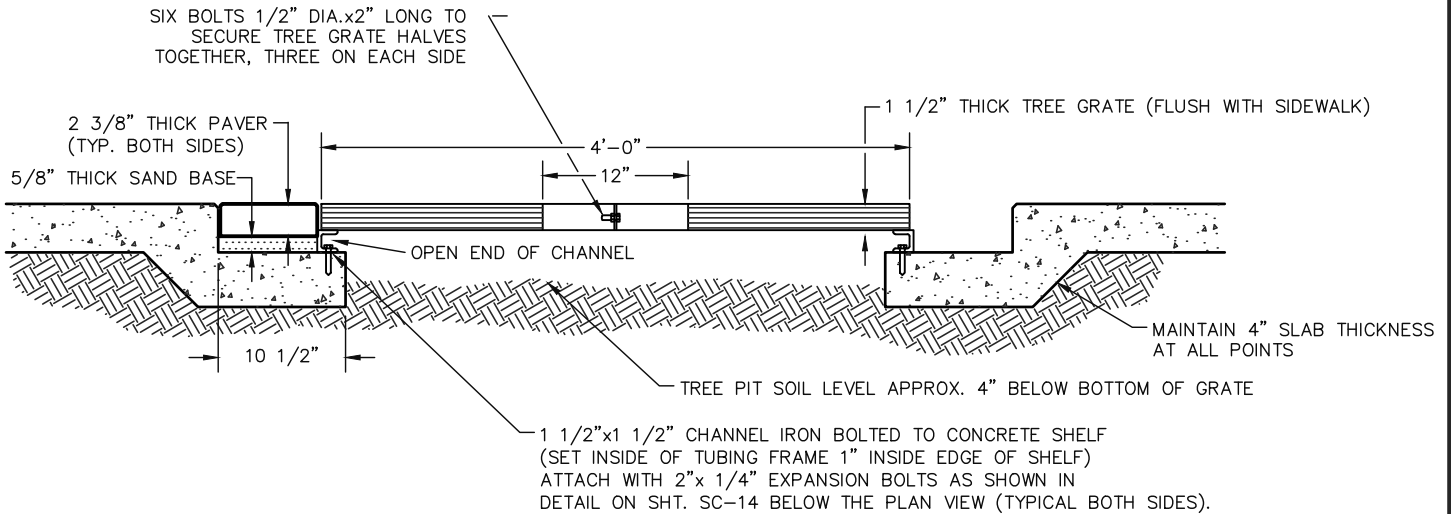


CROSSWALK PAVER W/TREE GRATE DETAIL SECTION "B-B"



CROSSWALK PAVER W/TREE GRATE DETAIL SECTION "A-A"



STANDARD CONSTRUCTION DETAIL
CROSSWALK PAVER DETAIL W/TREE GRATE
SECTIONS "A-A" AND "B-B"

NTS

INDEX

SC-13B

MAY 2020