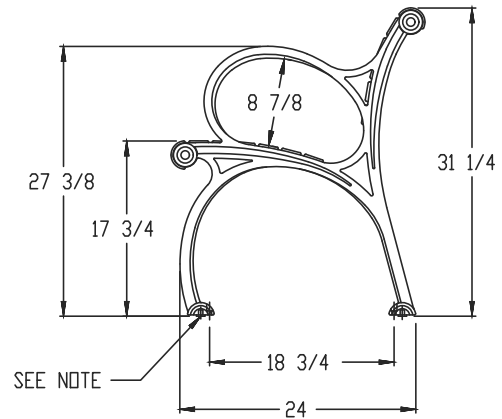
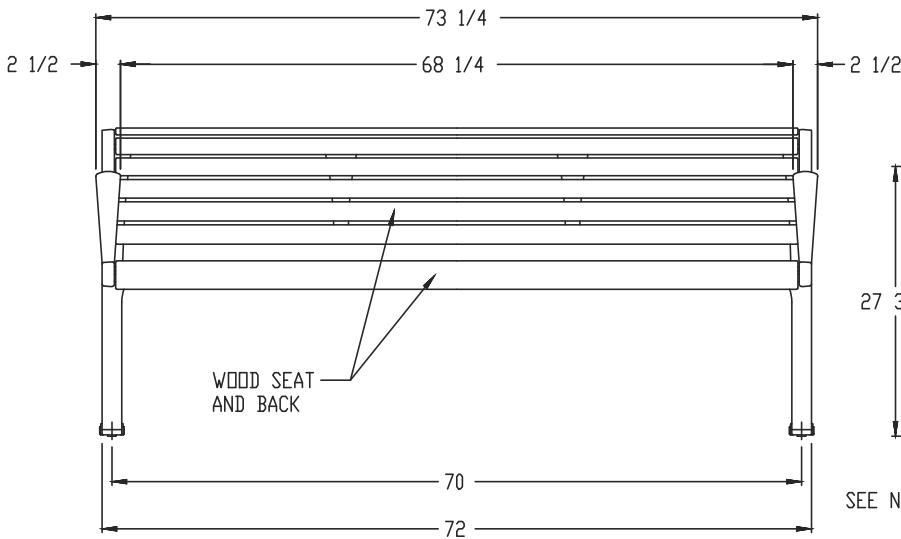


NOTE:
 FREESTANDING OR SURFACE MOUNT
 OPTIONS. CORROSION-RESISTANT
 ANCHORING HARDWARE SUPPLIED BY
 OTHERS. 13/32" HOLES WITH COUNTERBORE
 PROVIDED FOR SOCKET HEAD CAP
 SCREWS.



DESIGN GROUP: PLAINWELL
 DESCRIPTION: 70" WOOD SEAT ON ALUMINUM FRAME
 WOOD SELECTION: IPE NO FINISH
 POWDERCOAT COLOR: GLOSS BLACK FRAME
 HARDWARE: STAINLESS STEEL
 FEATURES: FREESTAND / SURFACE MOUNTABLE

landscapeforms

431 LAWNDALE AVE. PHONE: 800-521-2546
 KALAMAZOO, MI 49048 FAX: 269-381-3455



STANDARD CONSTRUCTION DETAIL
 BENCH

NTS

INDEX

SC-5

MAY 2020