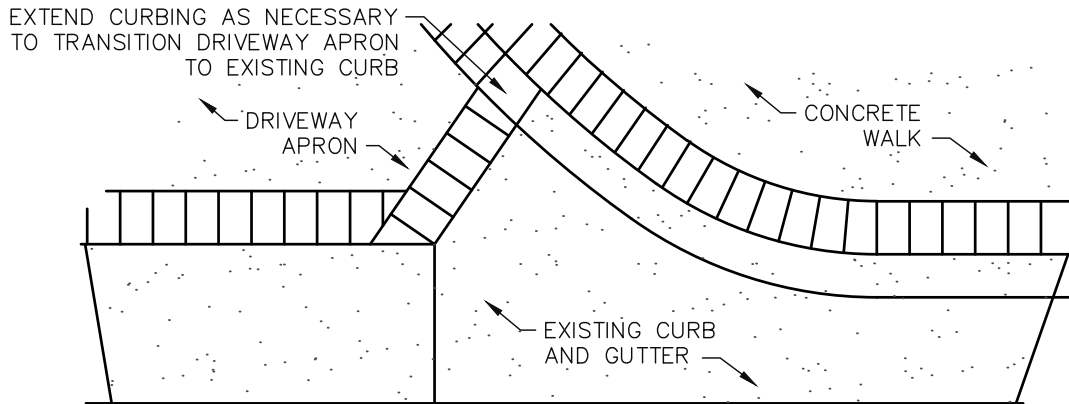
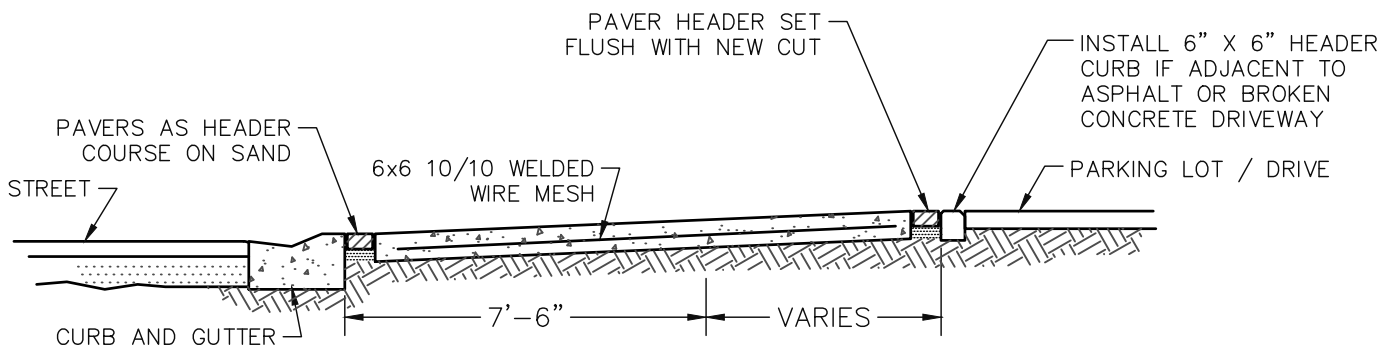


HANDICAP RAMP



PAVER PLAN WHERE CURB ENTERS DRIVEWAY



SECTION OF EXTENDED ENTRY APRON



STANDARD CONSTRUCTION DETAIL

SIDEWALK DETAILS – HANDICAP RAMP, PAVER PLAN WHERE CURB ENTERS DRIVEWAY & SECTION OF EXTENDED ENTRY APRON

NTS

INDEX

SC-3

MAY 2020