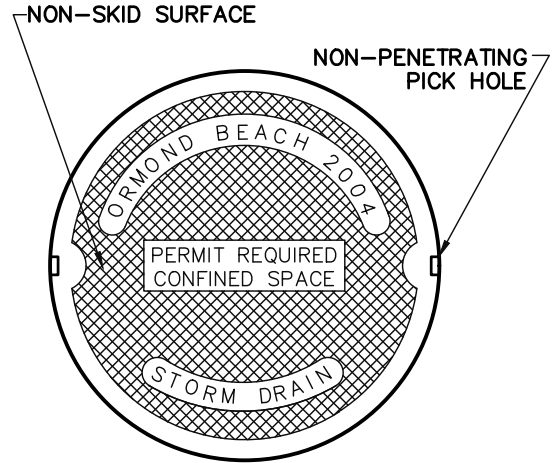


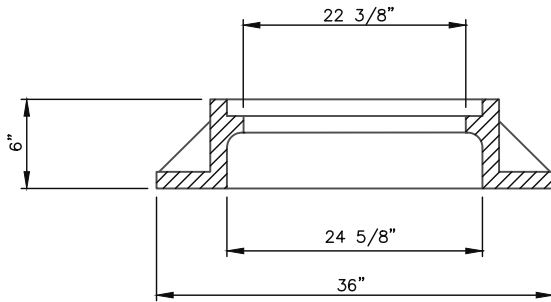
RING TOP VIEW



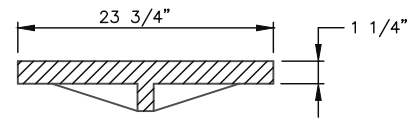
COVER DETAIL

N.T.S.

NOTE: FOR PRIVATELY OWNED STORM DRAINAGE SYSTEMS REMOVE CITY OF ORMOND BEACH NAME.



RING SECTION



COVER SECTION

NOTE: YEAR STAMP TO MATCH CASTING YEAR

U. S. FOUNDRY 195E OR APPROVED EQUAL

COVER TYPE	LOAD RATING	COVER WEIGHT	TOTAL WEIGHT
E	HEAVY DUTY	130	325

FOR MANHOLES IN FL. D.O.T. R/W OR AS DETERMINED BY THE CITY. THE COVER TYPE SHALL BE - BJ HEAVY DUTY 200 LBS W/ ORS.



**STANDARD CONSTRUCTION DETAIL**  
**MANHOLE RING AND COVER DETAIL**

NTS.

INDEX

ST-6

MAY 2020