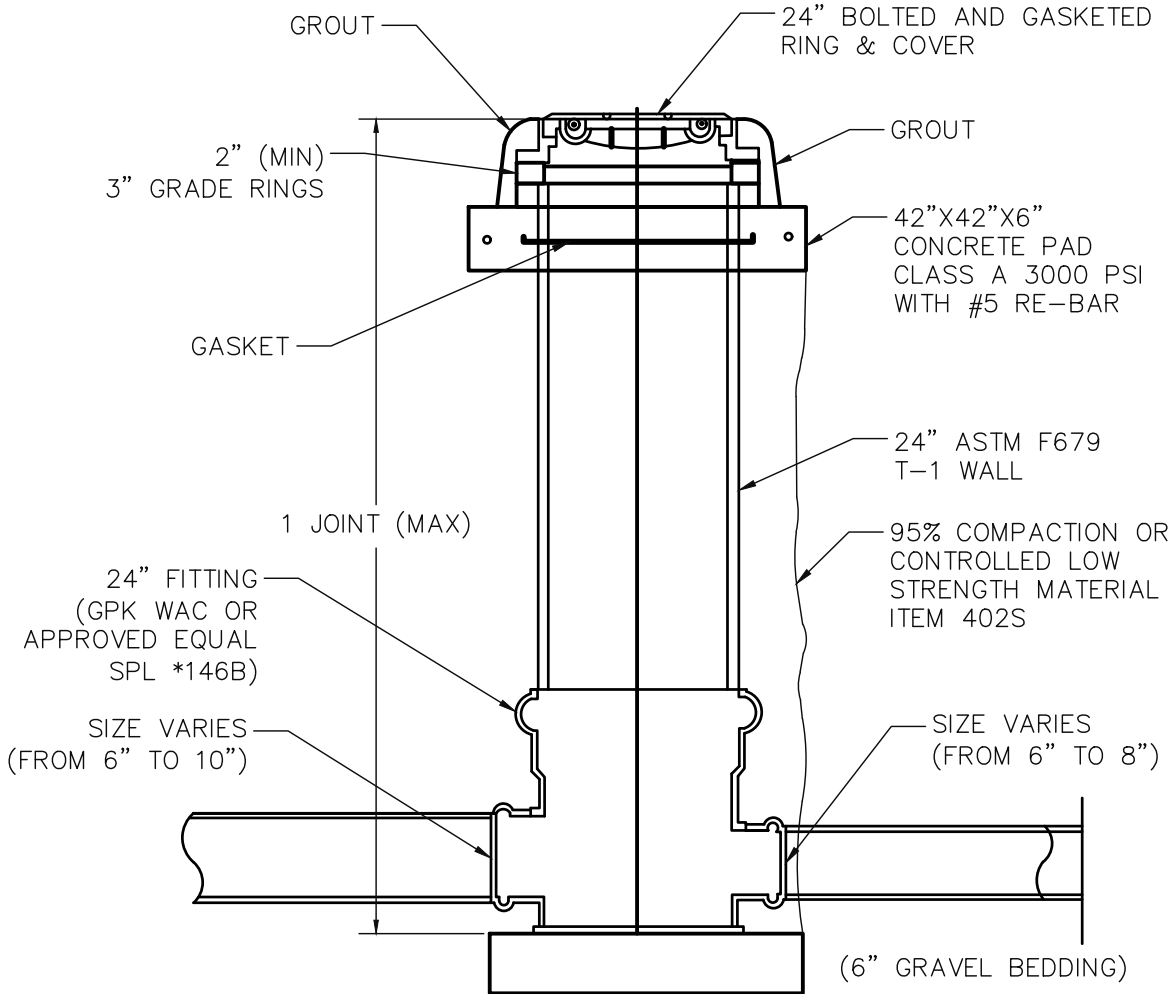


CITY SIDE

OWNER SIDE



STANDARD CONSTRUCTION DETAIL

COMMERCIAL NON-TRAFFIC BEARING
SAMPLING MANHOLE DETAIL

NTS

INDEX

S-12B

MAY 2020