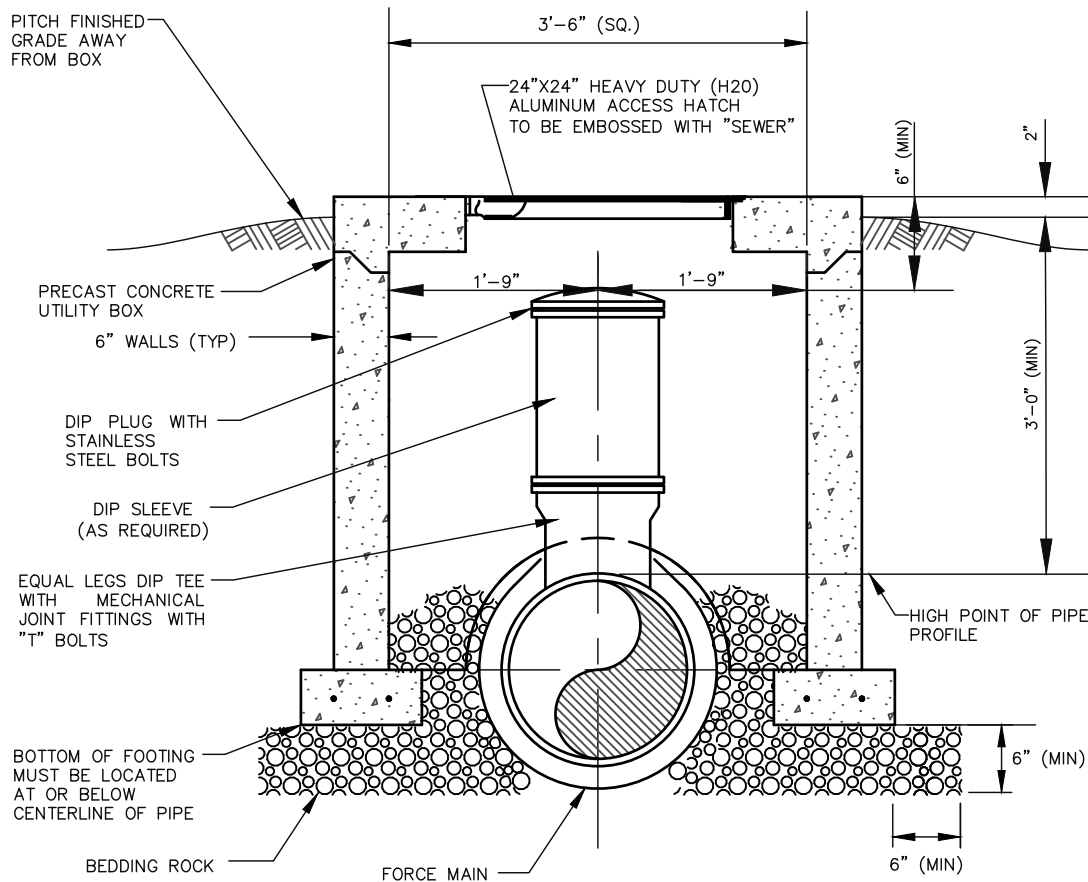


PLAN
NO SCALE

- NOTE:**
1. STRUCTURE TO BE ADEQUATE FOR AASHTO H20 LOADING.
 2. NO SURFACE COATING REQUIRED ON VAULT
 3. ALUMINUM HATCH TO INCLUDE S.S. HINGE & SLAM LOCKS WITH REMOVABLE KEYS.
 4. DESIGNER IS RESPONSIBLE FOR PROVIDING CONSTRUCTION MATERIAL AND STEEL REINFORCING REQUIREMENTS
 5. ALL DIP TO BE EPOXY LINED.



SECTION A-A
NO SCALE



STANDARD CONSTRUCTION DETAIL
POLY PIG LAUNCHING VAULT

NTS

INDEX

S-11

MAY 2020