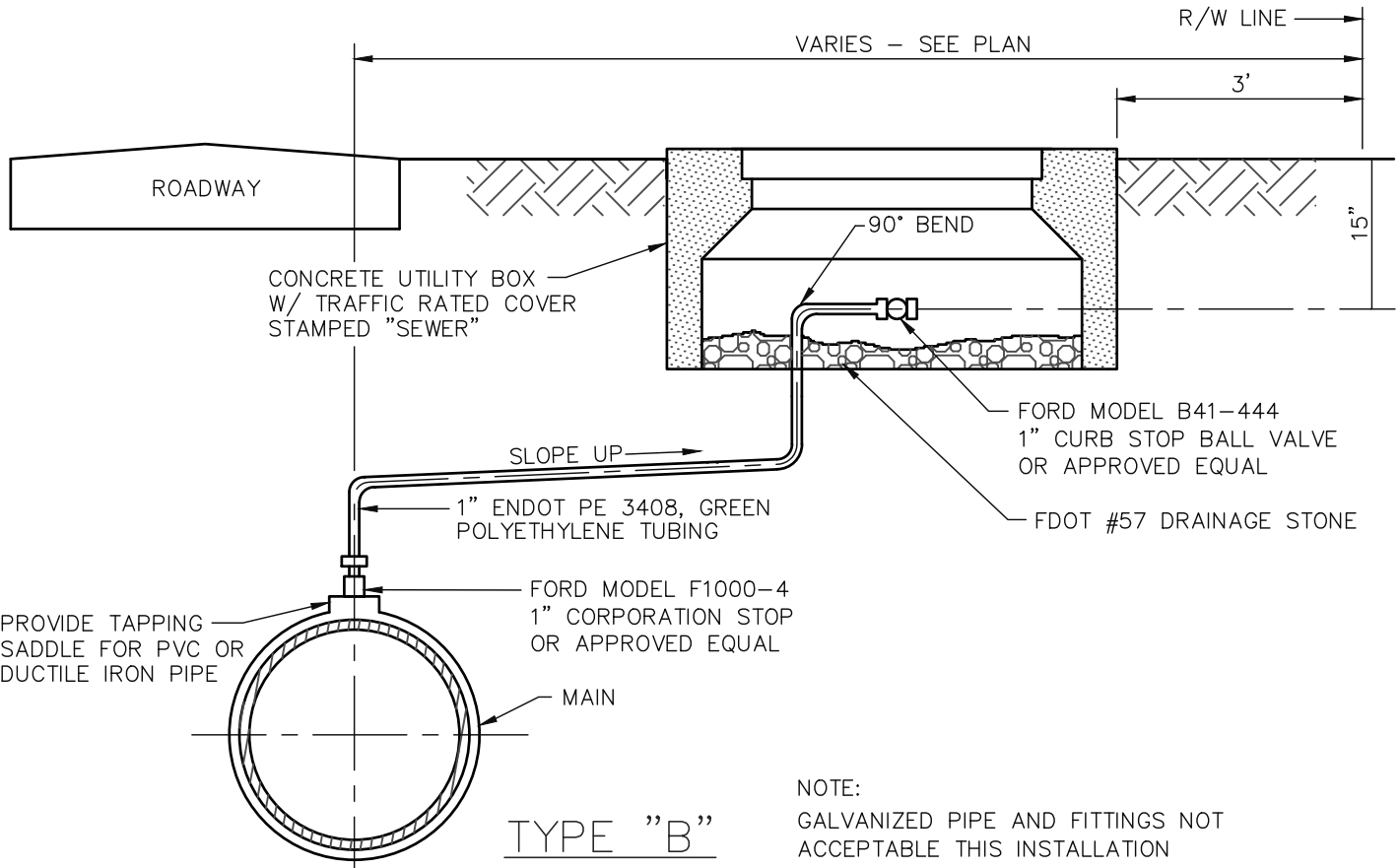


TYPE "A"



TYPE "B"

NOTE:
GALVANIZED PIPE AND FITTINGS NOT
ACCEPTABLE THIS INSTALLATION



STANDARD CONSTRUCTION DETAIL
MANUAL AIR RELEASE VALVE

NTS

INDEX

S-10A

MAY 2020