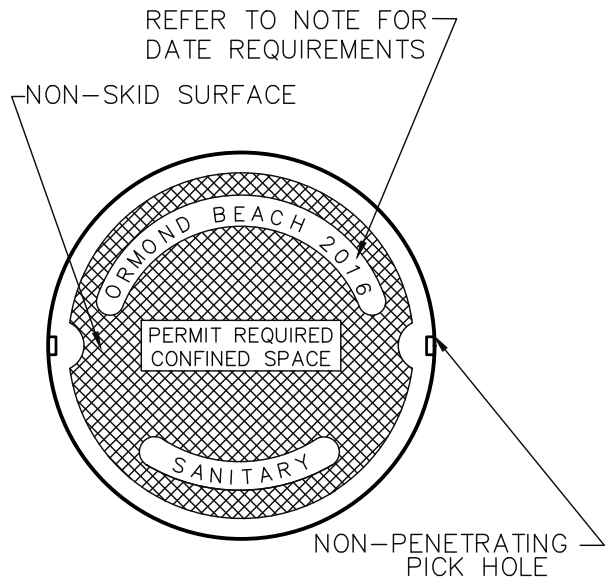


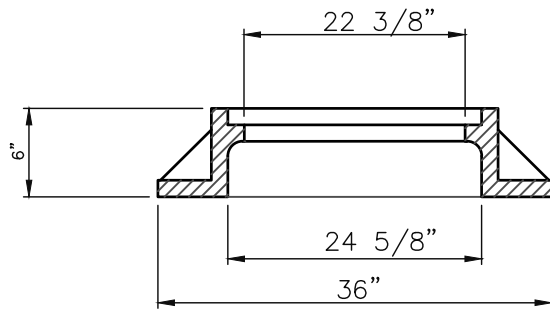
RING TOP VIEW



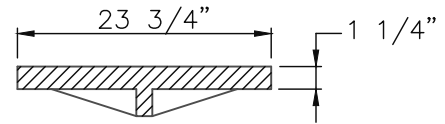
COVER DETAIL

N.T.S.

NOTE: FOR PRIVATE SANITARY SEWER SYSTEMS, REMOVE CITY OF ORMOND BEACH NAME



RING SECTION



COVER SECTION

NOTE: MANHOLE RING AND COVER SHALL CONFORM TO FDOT STANDARD INDEX 201, SHEET 1 OF 6, AS SHOWN IN ROADWAY TRAFFIC DESIGN STANDARDS.

NOTE: YEAR STAMP TO MATCH CASTING YEAR

U. S. FOUNDRY 195E-ORS ("O" RING SEAL) OR APPROVED EQUAL

COVER TYPE	LOAD RATING	COVER WEIGHT	TOTAL WEIGHT
BJ	HEAVY DUTY	200	350

FOR MANHOLES IN FL. D.O.T. R/W OR AS DETERMINED BY THE CITY. THE COVER TYPE SHALL BE - BJ HEAVY DUTY 200 LBS W/ ORS.



STANDARD CONSTRUCTION DETAIL
MANHOLE RING AND COVER DETAIL

N.T.S.

INDEX

S-9B

MAY 2020