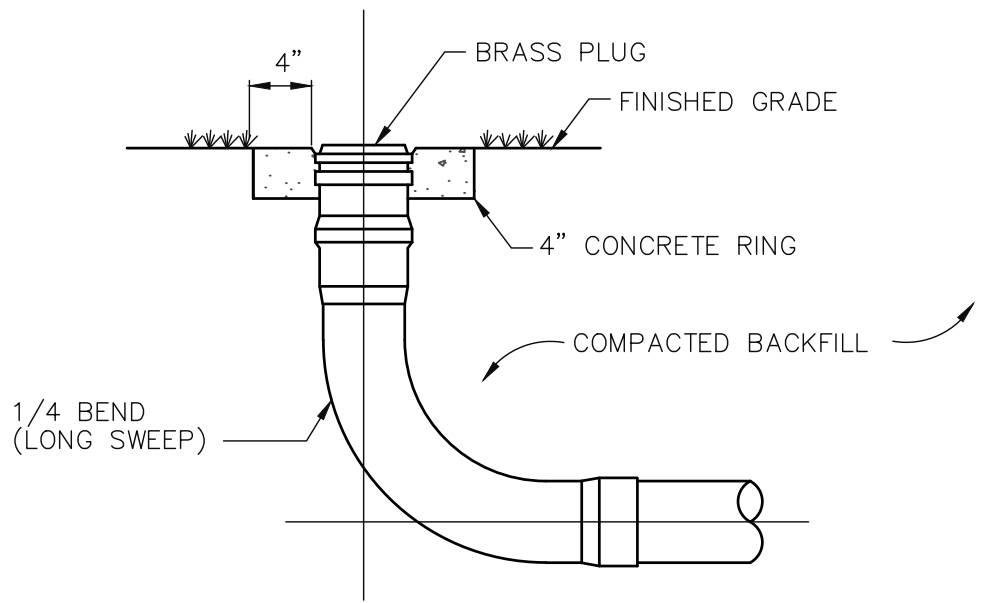
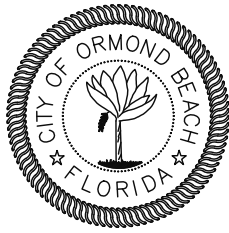


IN-LINE CLEANOUT



TERMINAL CLEANOUT

NOTE: CONCRETE COLLAR REQUIRED IN UNPAVED AREAS



STANDARD CONSTRUCTION DETAIL  
CLEANOUT DETAIL

NTS.

INDEX

S-7

MAY 2020